

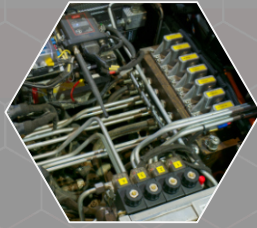
## PICK AND CARRY

Handling and riding with loads  
without the need for footing

up to  
**995 Kg**

### Danfoss Hydraulics

Max. Hydraulic flow rate 20 l/min  
Max. Hydraulic pressure 180 bar  
Proportional distributor  
Piston hydraulic generator  
Combination of functions



### Battery Vanguard

Capacity 10 kWh  
Nominal voltage 51,2 V  
Max. charging power 3,3 kW  
Full charge from 0 to 100% in 3 hours  
Charging 230 V or 400 V  
Charging control via app



### Electric engine

Max. torque 1100 Nm  
Max. speed 4 km/h  
Power 3 kW



### Main arm

Max. height 8,25 m  
Max. weight 2 000 Kg  
Radius 190 degrees



### Remote control

Multifunctional  
Plowshare control  
Track control  
Crane control

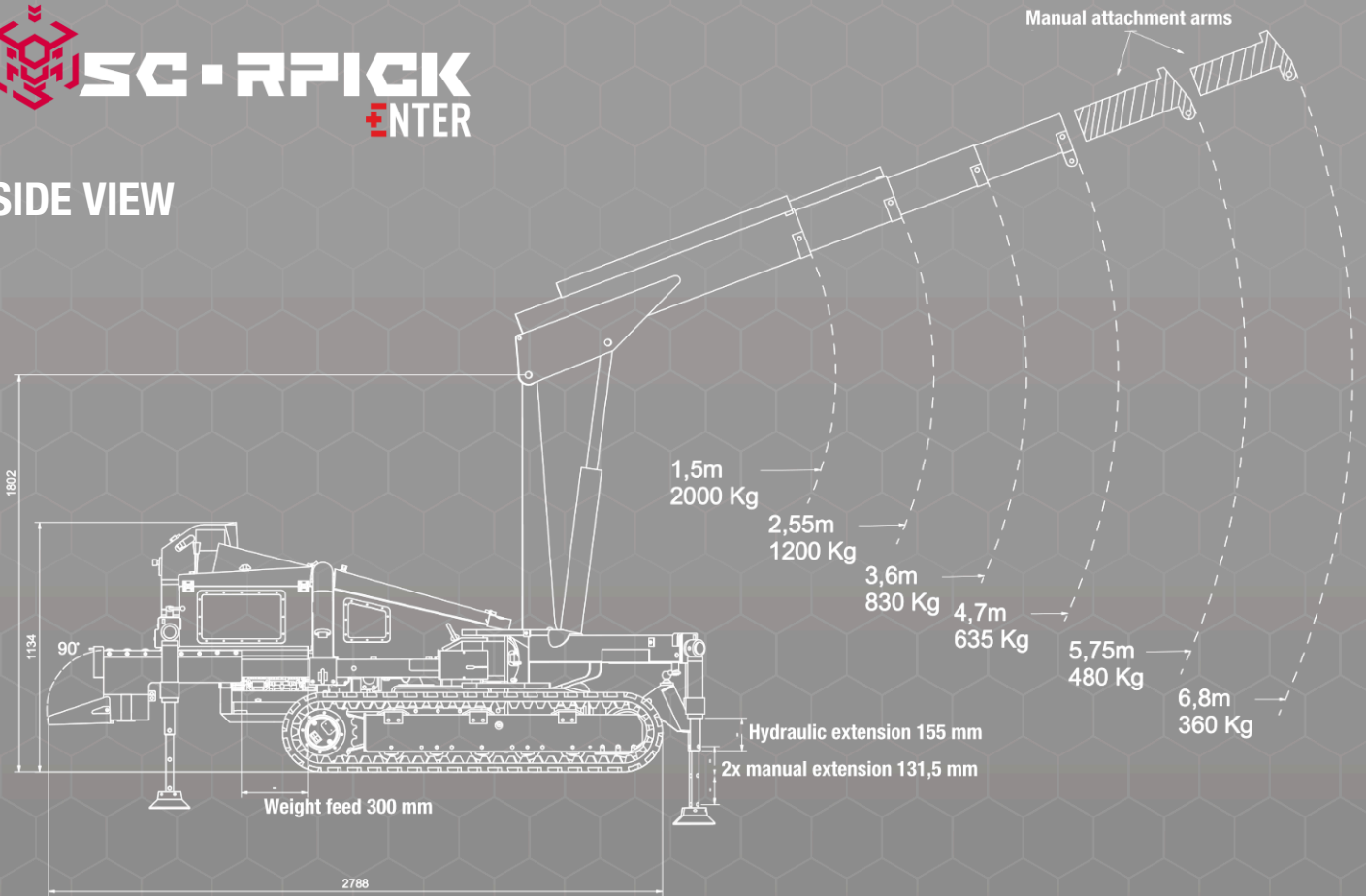


- ◆ Track pressure on the ground 0,36 Kg/cm<sup>2</sup>
- ◆ Electrically operated counterweight
- ◆ Variable adjustable feet
- ◆ Traction device for 3,5 t
- ◆ 4.5 t hydraulic winch
- ◆ Plowshare
- ◆ Czech manufacture

- ◆ Warranty 12 months (24 months for HNJ construction)
- ◆ 8 year battery warranty
- ◆ Machine weight 2050 Kg (depending on equipment)
- ◆ 26 years of experience



# SIDE VIEW



# DIMENSIONS

# TOP VIEW

